
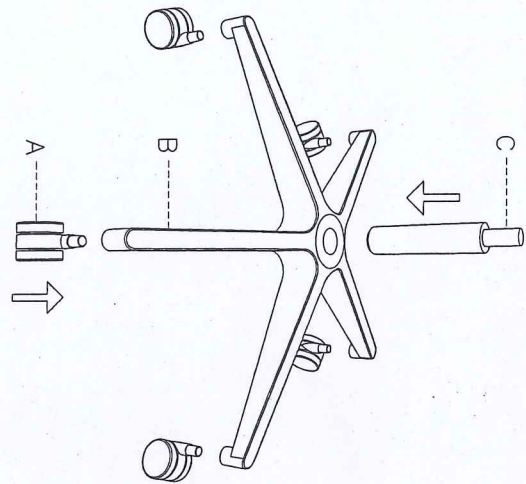
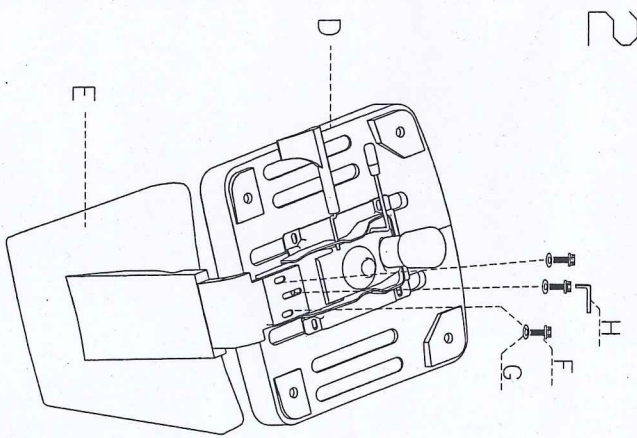
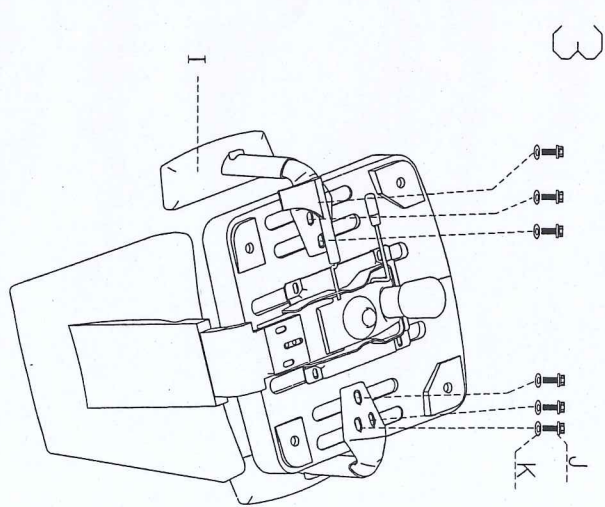
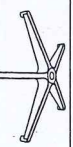





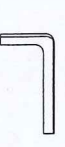
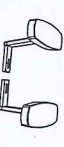
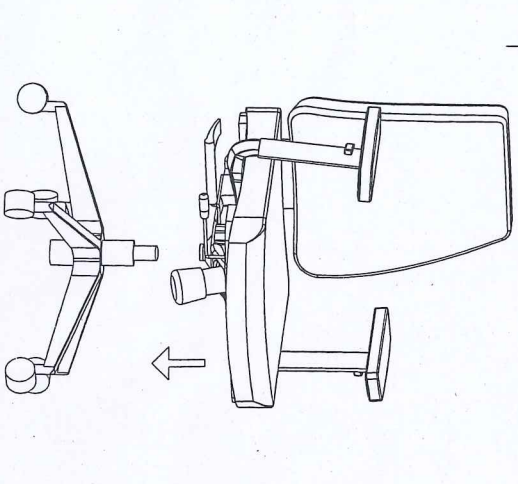




PART		Qty.			
A		5	<p>1</p> 	<p>2</p> 	<p>3</p> 
B		1			
C		1			
D		1			
E		1			
F	 M8X20	3			
G	 ø8.5*ø20*1	3			
H		1			
I		2	<p>4</p> 		
J	 M6X30	6			
K	 ø7.5*ø16*1	6			