
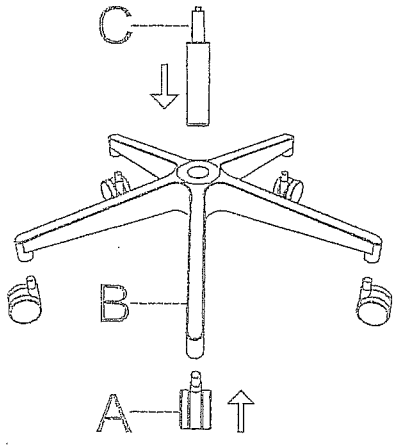
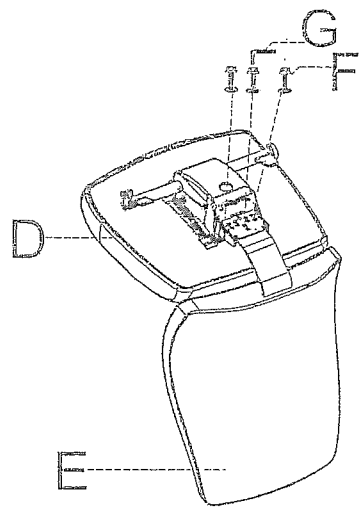
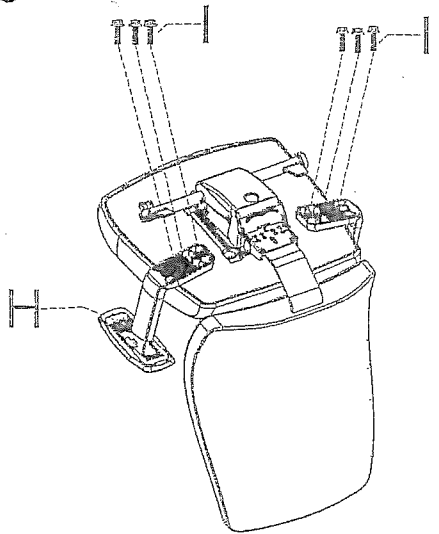
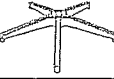

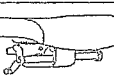
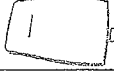

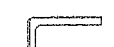

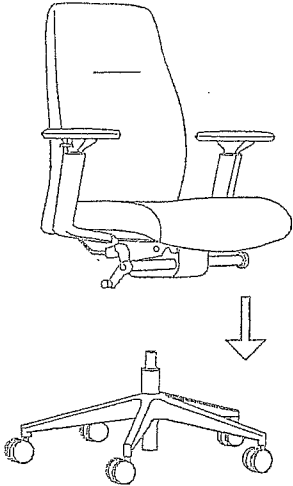
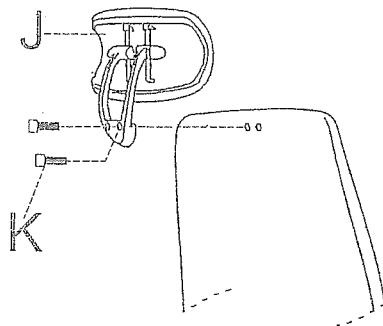
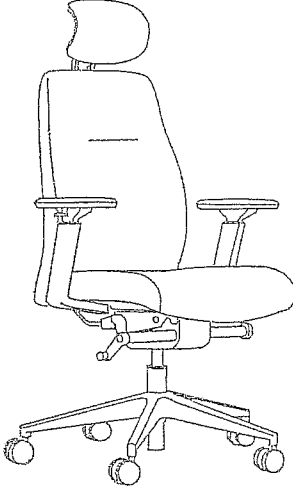





Part	Picture	Qty.	1	2	3
A		5			
B		1			
C		1			
D		1			
E		1			
F	 M8x16	3			
G		1			
H		2			
I	 M6x30	6			
J		1			
K	 M6x45	2			