
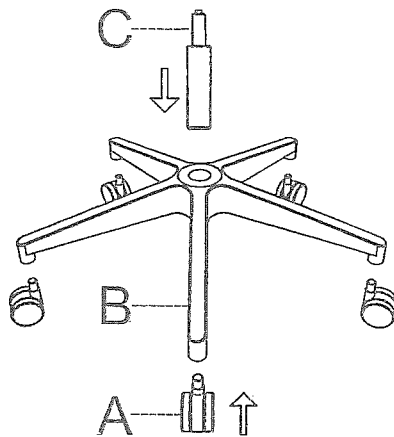
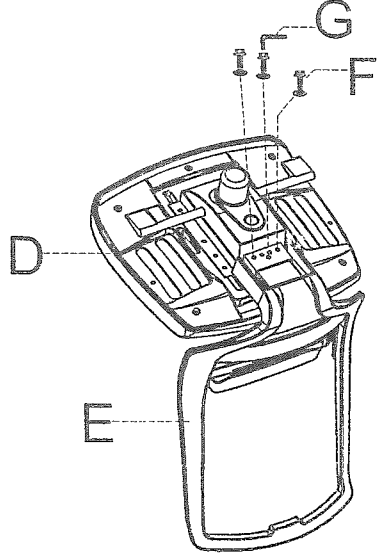
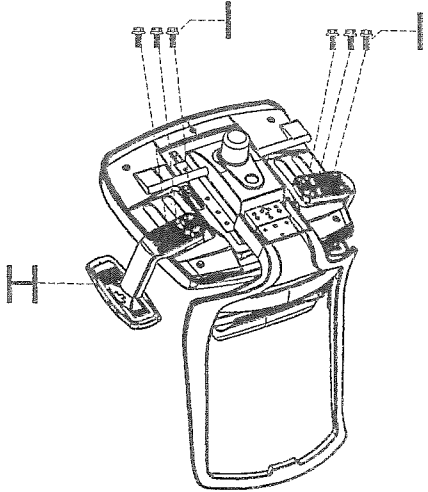
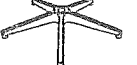
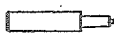


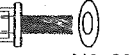
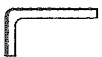

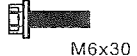


Part	Picture	Qty.	1	2	3
A		5	<p>1</p> 	<p>2</p> 	<p>3</p> 
B		1			
C		1			
D		1			
E		1			
F	 M8x20	3			
G		1			
H		2			
I	 M6x30	6			
			4	5	
			